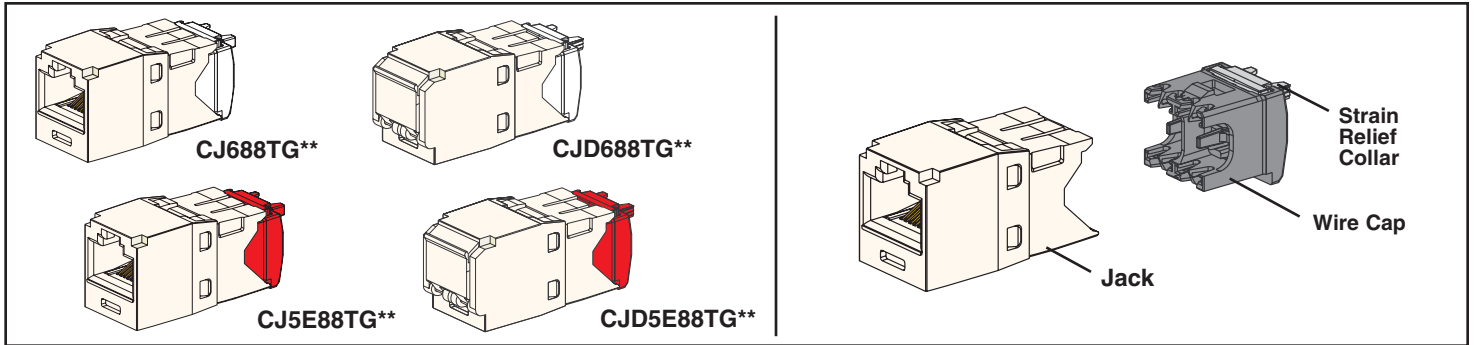
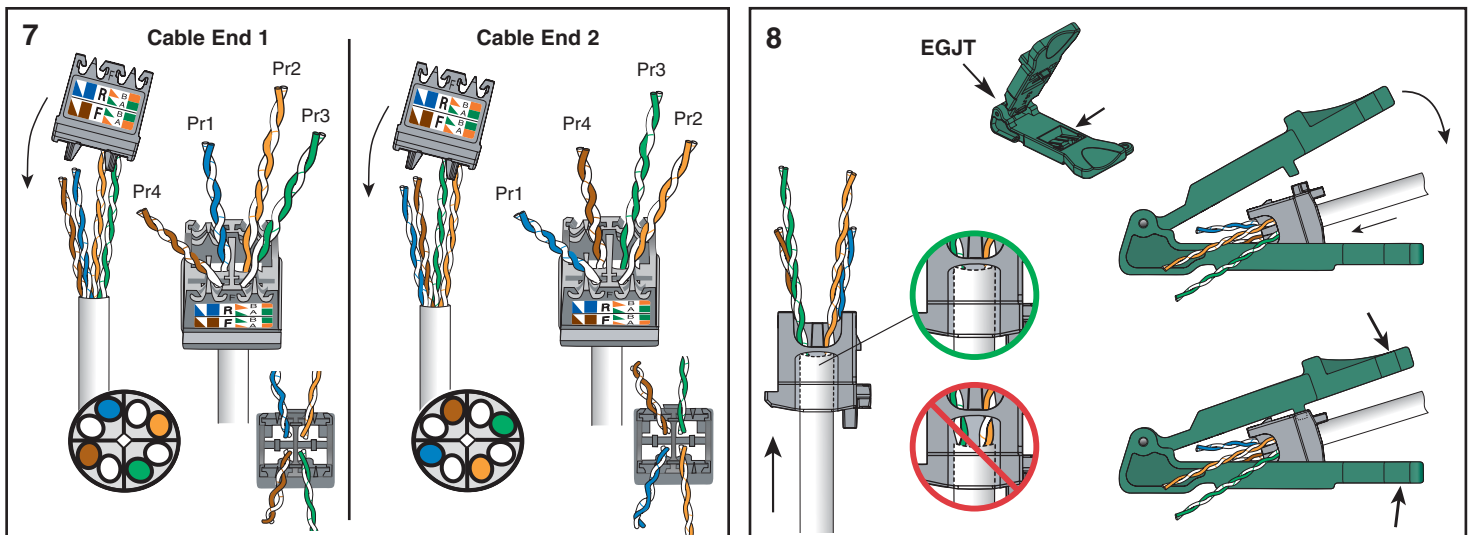
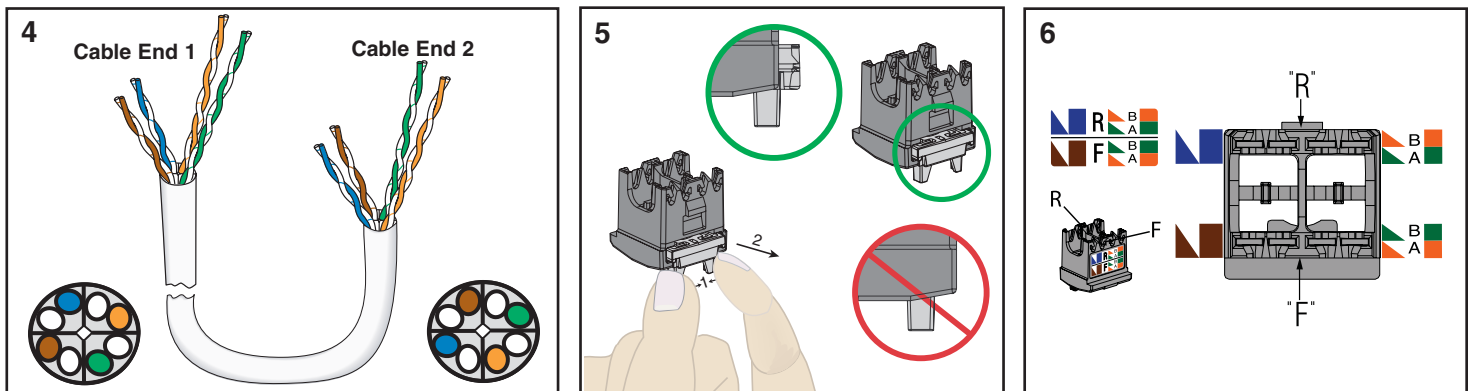
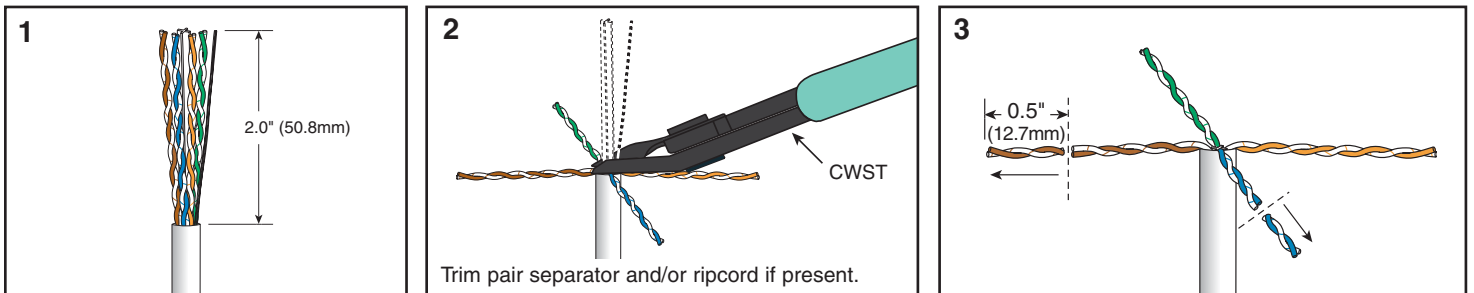


INSTALLATION INSTRUCTIONS PN403G



TERMINATION STEPS



Note: For bulk packaged TG Style Jack Modules add -24 to end of part number.

** Denotes color.

INSTALLATION INSTRUCTIONS PN403G

9

T568B
Cable End 1

Cable End 2

T568A
Cable End 1

Cable End 2

See note 4.

10

11

12

13

REMOVAL STEPS

1

2

3

Notes:

- For specified performance, follow TIA/EIA 568-B installation guidelines.
- Jack Modules can terminate 22-26 AWG solid or stranded IWC data cable with 0.062 (1.57 mm) maximum insulated conductor outside diameter.
- Jack Modules may be re-terminated a minimum of 20 times.
- On cable end 2 for A & B wiring and cable end 1 of A wiring, wrap the designated pairs around the proper center dividing post (A or B) and terminate in the proper location.
- For technical and performance information, consult *PANDUIT* Technical Support.

As with all Communication Components, the following statements apply:

- Never install communications wiring during a lightning storm.
- Never install communications wiring in wet locations unless the jack is specifically designed for use in wet locations.
- Never touch uninsulated communications wiring or terminals unless the communication line has been disconnected at the network interface.
- Use caution when installing or modifying communication wiring.

For Instructions in Local Languages
and Technical Support:

http://www.panduit.com/resources/install_maintain.asp



www.panduit.com

E-mail:
cs@panduit.com

Fax:
(708) 444-6993