



# MINI-COM<sup>®</sup> MODULAR PATCH PANELS

FOR USE WITH:  
**MINI-COM Modules**

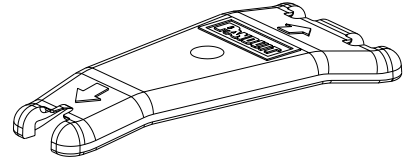
Part Numbers: CP16BL, CP24BL, CP48BL, CP72BL\*, CP80BL, CP96BL, CP16WSBL, CP24WSBL, CP48WSBL, CPT

## PN55F INSTALLATION INSTRUCTIONS

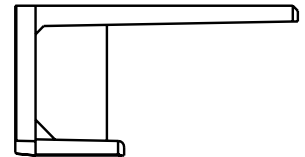
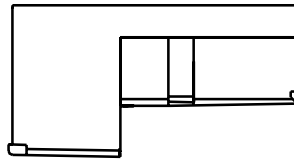
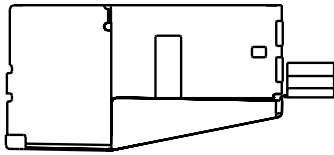
© Panduit Corp. 2001

Printed in U.S.A.

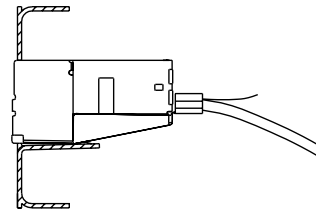
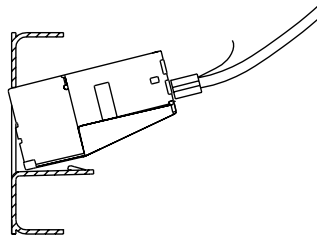
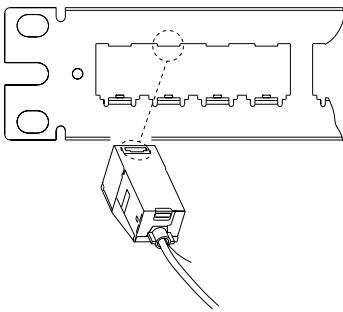
### Components



### Modules

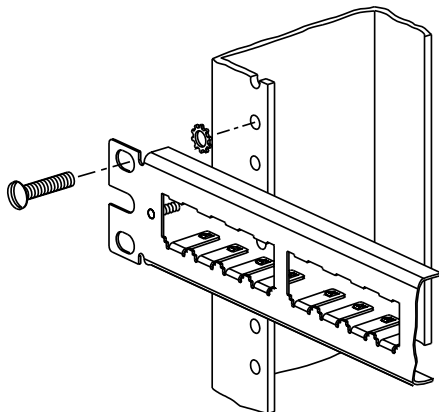


### Installation

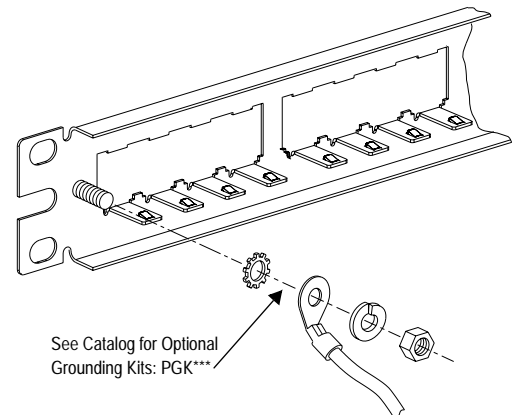


\* REAR CABLE MANAGEMENT RECOMMENDED TO PROVIDE ADDITIONAL SUPPORT

### Mounting



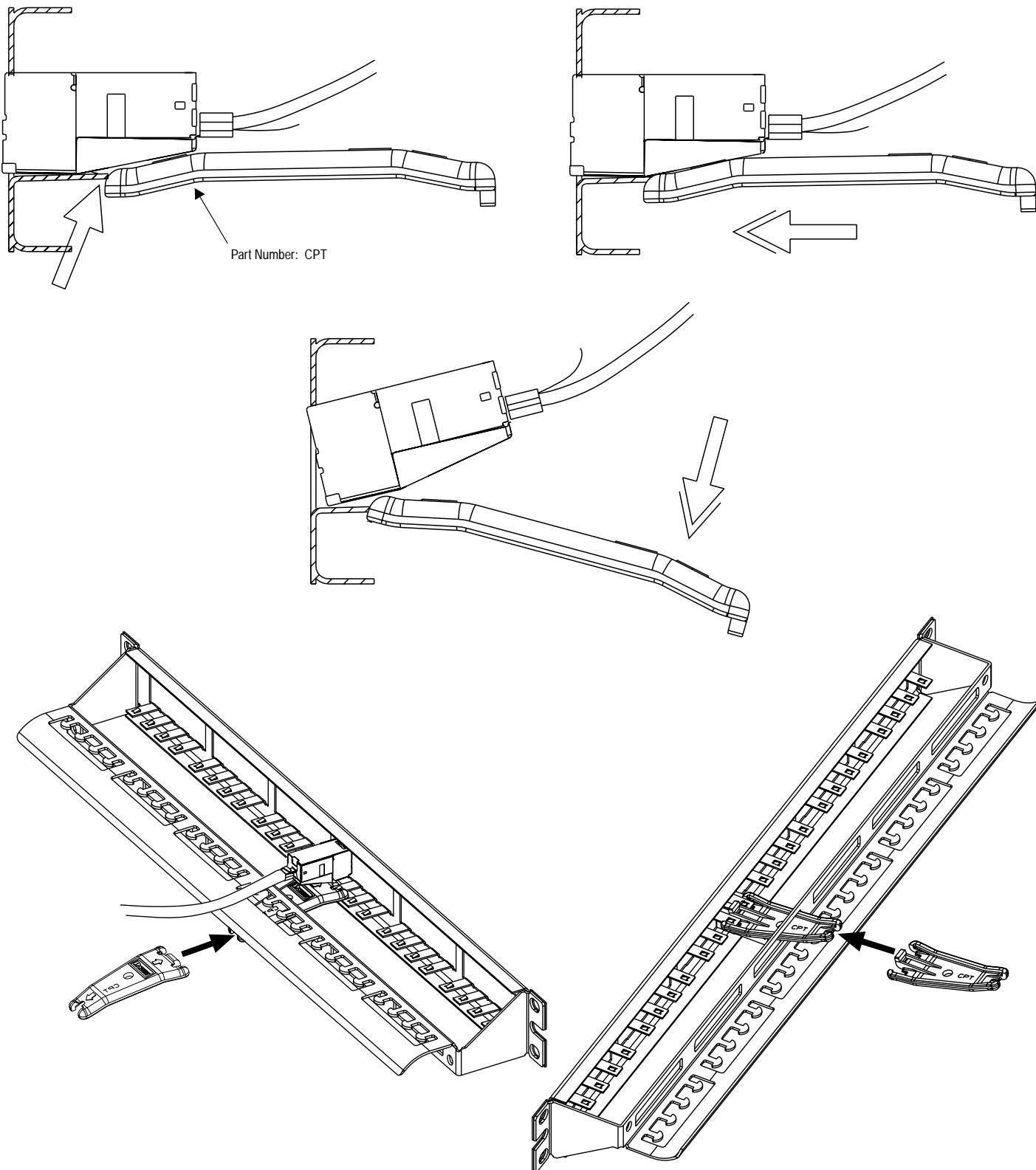
### Grounding



See Catalog for Optional  
Grounding Kits: PGK\*\*\*

**FOR TECHNICAL SUPPORT CALL: 866-405-6654**

Removal



WORLDWIDE SUBSIDIARIES AND SALES OFFICES



10500 West 167th Street  
Orland Park, Illinois 60467

Technical Support: 866-405-6654  
Fax: 708-444-6993

Web site: [www.panduit.com/ncg](http://www.panduit.com/ncg)  
E-mail: [netconnsupport@panduit.com](mailto:netconnsupport@panduit.com)